

Cut to perfection.

Our power cords are perfectly customized
to fit your appliances.



The planet's pathways

Linking the future

As the worldwide leader in the cable industry, Prysmian believes in the effective, efficient and sustainable supply of energy and information as a primary driver in the development of communities.

With this in mind, we provide major global organisations in many industries with best-in-class cable solutions, based on state-of-the-art technology. Through three renowned commercial brands – Prysmian, Draka and General Cable – based in almost 50 countries, we're constantly close to our customers, enabling them to further develop the world's energy and telecoms infrastructures, and achieve sustainable, profitable growth.

In our energy business, we design, produce, distribute and install cables and systems for the transmission and distribution of power at low, medium and high voltage.

In telecoms, Prysmian is a leading manufacturer of all types of copper and fibre cables, systems and accessories – covering voice, video and data transmission.

Drawing on over 140 years' experience and continuously investing in R&D, we apply excellence, understanding and integrity to everything we do, meeting and exceeding the precise needs of our customers across all continents, at the same time shaping the evolution of our industry.



Our power cords are perfectly customized to fit your appliances.

Let's cut to the chase, no matter if it's a washing machine, power tool or industrial appliance, our power cords will be the perfect fit. With the highest quality performance, longer service life than comparable products on the market and the ability to tailor the cords to your specific requirements, you'll never find the grass greener on the other side. Finally, to convince you that our offer truly is an ideal match to yours, all power cords and cables are KEMA KEUR and HAR certified.

Introduction

For more than a decade we have produced power cords under the brand of Eurelectric. Since the beginning we've sourced top-quality materials from trusted vendors to create power cords for use in industrial, commercial and home applications. And to be able to satisfy all our clients' needs, we immediately focused on areas such as product development, improvement of the manufacturing processes and customization of products. As a result, our reputation as a world leading manufacturer within the energy and telecommunication cable industries has extended to our power cords under the brand of Prysmian as well.

Application

Our power cords have unique performance skills. You can drag them, bend them, pull them and roll them. And you'll still have outstanding cords with no flaws and ready to set your device in motion.

At Prysmian we offer a wide range of products, including power cords with PVC flex cables, harmonized rubber cables and other customer tailored solutions. Our portfolio is completed with single wires specially designed for OEM applications.

We make thorough and recurring test on all our cables to make sure they are safe for domestic appliances as well as industrial applications. That's why we can stand behind our products with complete confidence.

Contents

Made in Europe.	4
A responsible approach.	5
HAR Certification.	6
Power cords	7
H05V-K	8
H07V-K	8
H03VV-F	9
H05VV-F	9
H03V2V2-F	10
H05V2V2-F	10
H05RN-F	11
H07RN-F	11
H05RR-F	12
Plug inserts	13
Plug 1610	14
Plug 1622	15
Plug 1630	16
Plug 1669	17
Plug 1668	18
Plug 1664	19
Plug 1683	20
Connector 2254	21
Tailored to your requirements.	22
Committed to quality	23



Made in Europe.

From the deepest oceans and mines to the farthest satellites orbiting Earth in Space, you'll find products made by us. In Eastern Europe, in the beautiful Romanian city of Slatina, you'll find one of Europe's largest power cable plants. Here our skilled colleagues are manufacturing tons of state-of-the-art cables every year.

Prysmian Romania is a proud part of the world's largest global actor in the cable manufacturing business – Prysmian. But, no matter how large we are, we live and expand thanks to you, our local customers and business partners. We know what you need and can make the cables meet the quality demands that you ask for because we appreciate the importance of understanding local preconditions and your special needs. That's why we thought it was crucial to extend our range of products to power cords as well and have the production based in Europe. This way we can deliver the cables where and when you need them, lowering transport distances, saving money and protecting the environment. It is a win-win, for all of us.



A responsible approach.

Being the largest cable manufacturer in the world we understand and embrace our responsibility towards both people and the planet we are living on. That's why all Prysmian cables are certified according to important directives and regulations.



RoHS

A directive against the use of six different hazardous materials: lead, mercury, cadmium, chromium, PBBs and PBDEs.



REACH

A regulation requiring all companies manufacturing or importing chemical substances into EU to communicate these substances throughout the supply chain.

HAR Certification.

All our cables are licensed according to HAR. The HAR Certification is the best possible assurance regarding the quality and compliance of the certified products. To pass through the eye of the needle, a number of product samples are tested and must be approved. And, to maintain the validity of the licence, a stringent programme of tests is carried out on a yearly basis.

Designation HAR		
		Example
Symbol for specification	H: Harmonized specification	H
Nominal voltage	03: 300/300 V 05: 300/500 V 07: 450/750 V	05
Insulation material	V: PVC (70 °C) V2: PVC (90 °C) R: Natural and/or styrene butadiene rubber B: Rubber (90 °C) Z1: Halogen free thermoplastic compounds	V
Outer sheath material	V: PVC (70 °C) V2: PVC (90 °C) R: Natural and/or styrene butadiene rubber N: Polychloroprene rubber (60 °C) B: Rubber (90 °C) N4: Polychloroprene (90 °C) Z1: Halogen free thermoplastic compounds	V
Particularities in construction	H: Flat, separable cable H2: Flat, non-separable cable	
Type of conductor	U: Single-core R: Multicore K: Fine wire for cables at solid installation F: Fine wire for flexible cables H: Extra fine wire for flexible cables Y: Tinsel cord	F
Cores type	G: With protective conductor X: Without protective conductor	
Core cross section	0.5 to 6 mm ² (according to cable type)	
Certifications	HAR	

Please contact us for non standard requirement.

Power cords

H05V-K



H05V-K		
No. of cores x cross section mm ²	Approx. diameter mm	Approx. weight kg/km
1x0.5	2.1 – 2.5	8.6
1x0.75	2.2 – 2.7	10.99
1x1	2.4 – 2.8	13.78

H05V-K	
Cable characteristics	
Rated voltage	300/500 V
Test voltage	2000 V
Max. conductor temperature	70 °C
Max. conductor temperature at short circuit	160 °C (max. 5 s.)
Min. installation temp.	+5 °C
Standards/Certifications/Approvals	EN 50525, EN 50525-2-31 HAR, CE
Conductor material	Stranded copper class 5
Insulation material	PVC type TII
Number of cores	1
Conductor colour code	1-core: black, white, grey, brown, blue, green/yellow, red. Others acc. to the agreement.
Lead free	Yes
Reaction to fire	EN 60332-1-2
RoHS/REACH compliant	Yes

H07V-K



H07V-K		
No. of cores x cross section mm ²	Approx. diameter mm	Approx. weight kg/km
1x0.5	2.1 – 2.29	9.74
1x1.5	2.8 – 3.4	19.79
1x2.5	3.4 – 4.1	30

H07V-K	
Cable characteristics	
Rated voltage	450/750 V
Test voltage	2500 V
Max. conductor temperature	70 °C
Max. conductor temperature at short circuit	160 °C (max. 5 s.)
Min. installation temp.	+5 °C
Standards/Certifications/Approvals	EN 50525, EN 50525-2-31 HAR, CE
Conductor material	Stranded copper class 5
Insulation material	PVC type TII
Number of cores	1
Conductor colour code	1-core: black, white, grey, brown, blue, green/yellow, red. Others acc. to the agreement.
Lead free	Yes
Reaction to fire	EN 60332-1-2
RoHS/REACH compliant	Yes

H03VV-F



H03VV-F		
No. of cores x cross section mm ²	Approx. diameter mm	Approx. weight kg/km
2x0.5	5.00	36.28
2x0.75	5.30	46
3G0.5	5.30	42.76
3G0.75	5.50	50.34

H03VV-F	
Cable characteristics	
Rated voltage	300/300 V
Test voltage	2000 V
Max. conductor temperature	70 °C
Max. conductor temperature at short circuit	160 °C (max. 5 s.)
Min. installation temp.	+5 °C
Standards/Certifications/Approvals	EN 50525, EN 50525-2-31 HAR, IEC 60227, CE
Conductor material	Stranded copper class 5
Insulation material	PVC type T12
Number of cores	2-3
Conductor colour code:	2-core: blue, brown 3-core: blue, brown, yellow/green 3-core: blue, brown, black* 3-core: brown, black, grey* *On request.
Sheathing material, colour	PVC type TM2; standard colours: white, grey, black
Lead free	Yes
Reaction to fire	EN 60332-1-2
RoHS/REACH compliant	Yes

H05VV-F



H05VV-F		
No. of cores x cross section mm ²	Approx. diameter mm	Approx. weight kg/km
2x0.75	5.95	53.92
2x1	6.30	60
2x1.5	7.20	80
2x2.5	8.90	124
2x4	10.10	170
3G0.75	6.35	63.82
3G1	6.75	74.08
3G1.5	8.05	105.03
3G2.5	9.60	155
3G4	10.90	215
4G0.75	6.80	73
4G1	7.50	89
4G1.5	8.80	126
4G2.5	10.50	189
4G4	11.90	264
5G0.75	8.20	108
5G1	8.80	123
5G1.5	10.30	177
5G2.5	12.30	262
5G4	14.30	358

H05VV-F	
Cable characteristics	
Rated voltage	300/500 V
Test voltage	2000 V
Max. conductor temperature	70 °C
Max. conductor temperature at short circuit	160 °C (max. 5 s.)
Min. installation temp.	+5 °C
Standards/Certifications/Approvals	EN 50525, EN 50525-2-31 HAR, IEC 60227, CE
Conductor material	Stranded copper class 5
Insulation material	PVC type T12
Number of cores	2-5
Conductor colour code:	2-core: blue, brown 3-core: blue, brown, yellow/green 3-core: blue, brown, black* 3-core: brown, black, grey* 4-core: brown, black, grey, yellow/green 4-core: blue, brown, black, yellow/green* 4-core: blue, brown, black, grey* 5-core: blue, brown, black, grey, yellow/green *On request.
Sheathing material, colour	PVC type TM2; standard colours: white, grey, black
Lead free	Yes
Reaction to fire	EN 60332-1-2
RoHS/REACH compliant	Yes

H03V2V2-F



H03V2V2-F		
No. of cores x cross section mm ²	Approx. diameter mm	Approx. weight kg/km
2x0.5	5.1	35
2x0.75	5.2	40
3G0.5	5.4	46
3G0.75	5.5	50.1

H03V2V2-F

Cable characteristics	
Rated voltage	300/300 V
Test voltage	2000 V
Max. conductor temperature	90 °C
Max. conductor temperature at short circuit	150 °C (max. 5 s.)
Min. installation temp.	+5 °C
Standards/Certifications/Approvals	EN 50525, EN 50525-2-11 HD 383, EN 60228, HAR IEC 60227, CE
Conductor material	Stranded copper class 5
Insulation material	PVC type TI3
Number of cores	2-3
Conductor colour code:	2-core: blue, brown 3-core: blue, brown, yellow/green 3-core: blue, brown, black* 3-core: brown, black, grey* *On request.
Sheathing material, colour	PVC type TM3; standard colours: white, grey, black
Lead free	Yes
Reaction to fire	EN 60332-1-2
RoHS/REACH compliant	Yes

H05V2V2-F



H05V2V2-F		
No. of cores x cross section mm ²	Approx. diameter mm	Approx. weight kg/km
2x0.75	6.2	57
2x1	6.6	66
2x1.5	7.7	94
3G0.75	6.6	68
3G1	7.1	78
3G1.5	8.3	118
3G2.5	10.1	182
3G4	11.6	248
4G0.75	7.3	82
4G1	8	108
4G1.5	9.3	149
4G2.5	11.1	226
4G4	12.7	323
5G0.75	8.2	108
5G1	8.8	123
5G1.5	10.3	177
5G2.5	12.3	262
5G4	14.3	358

H05V2V2-F	
Cable characteristics	
Rated voltage	300/500 V
Test voltage	2000 V
Max. conductor temperature	90 °C
Max. conductor temperature at short circuit	150 °C (max. 5 s.)
Min. installation temp.	+5 °C
Standards/Certifications/Approvals	EN 50525, EN 50525-2-11 HD 383, EN 60228, HAR IEC 60227, CE
Conductor material	Stranded copper class 5
Insulation material	PVC type TI3
Number of cores	2-5
Conductor colour code:	2-core: blue, brown 3-core: blue, brown, yellow/green 3-core: blue, brown, black* 3-core: brown, black, grey* 4-core: brown, black, grey, yellow/green 4-core: blue, brown, black, yellow/green* 4-core: blue, brown, black, grey* 5-core: blue, brown, black, grey, yellow/green *On request.
Sheathing material, colour	PVC type TM3; standard colours: white, grey, black
Lead free	Yes
Reaction to fire	EN 60332-1-2
RoHS/REACH compliant	Yes

H05RN-F



H05RN-F		
No. of cores x cross section mm ²	Approx. diameter mm	Approx. weight kg/km
2x0.75	6.1	51
2x1	6.6	61
3G0.75	6.6	63
3G1	6.9	73
4G0.75	7.2	77
4G1	7.5	89

H05RN-F	
Cable characteristics	
Rated voltage	300/500 V
Test voltage	2000 V
Max. conductor temperature	60 °C
Max. conductor temperature at short circuit	250 °C (max. 5 s.)
Min. installation temp.	-25 °C
Standards/Certifications/Approvals	EN 50525-2-21, CE
Conductor material	Stranded copper class 5
Insulation material	Vulcanized rubber compound, type EI4; standard colour: black
Number of cores	2-4
Conductor colour code:	2-core: blue, brown 3-core: blue, brown, yellow/green 3-core: blue, brown, black* 3-core: brown, black, grey* 4-core: brown, black, grey, yellow/green 4-core: blue, brown, black, yellow/green* 4-core: blue, brown, black, grey* *On request.
Sheathing material, colour	Vulcanized rubber compound, type EI4; standard colour: black
Lead free	Yes
Reaction to fire	EN 60332-1-2
RoHS/REACH compliant	Yes

H07RN-F



H07RN-F		
No. of cores x cross section mm ²	Approx. diameter mm	Approx. weight kg/km
1x1.5	5.9	49
1x2.5	6.5	65
1x4	7.4	89
1x6	8.2	115
2x1.0	8.1	87
2x1.5	9.4	118
2x2.5	11.2	172
2x4	13	238
2x6	13.7	285
3G1.0	8.8	105
3G1.5	9.8	134
3G2.5	11.5	192
3G4	13.2	267
3G6	14.7	351
4G1.0	9.7	130
4G1.5	10.7	166
4G2.5	12.6	240
4G4	14.5	235
4G6	16.3	448
5G1.0	10.7	159
5G1.5	11.8	201
5G2.5	13.8	290
5G4	16.2	412
5G6	18.2	550

H07RN-F	
Cable characteristics	
Rated voltage	450/750 V
Test voltage	2500 V
Max. conductor temperature	60 °C
Max. conductor temperature at short circuit	250 °C (max. 5 s.)
Min. installation temp.	-25 °C
Standards/Certifications/Approvals	EN 50525-2-21, CE
Conductor material	Stranded copper class 5
Insulation material	Vulcanized rubber compound, type EI4
Number of cores	1-5
Conductor colour code:	1-core: black 2-core: blue, brown 3-core: blue, brown, yellow/green 3-core: blue, brown, black* 3-core: brown, black, grey* 4-core: brown, black, grey, yellow/green 4-core: blue, brown, black, yellow/green* 4-core: blue, brown, black, grey* 5-core: blue, brown, black, grey, yellow/green *On request.
Sheathing material, colour	Vulcanized rubber compound, type EI4; standard colour: black
Lead free	Yes
Reaction to fire	EN 60332-1-2
RoHS/REACH compliant	Yes

H05RR-F



H05RR-F		
No. of cores x cross section mm ²	Approx. diameter mm	Approx. weight kg/km
2x0.75	6.2	53
2x1	6.7	63
2x1.5	8.2	94
2x2.5	9.6	134
2x4	11.2	190
3G0.75	6.7	65
3G1.0	7	75
3G1.5	8.7	111
3G2.5	10.2	161
3G4	11.9	231
3G6	13.4	311
4G0.75	7.3	79
4G1.0	7.6	92
4G1.5	9.6	141
4G2.5	11.3	204
4G4	13.2	295
4G6	14.8	397
5G0.75	8.1	98
5G1.0	8.5	115
5G1.5	10.5	169
5G2.5	12.5	252
5G4	14.7	361

H05RR-F	
Cable characteristics	
Rated voltage	300/500 V
Test voltage	2000 V
Max. conductor temperature	60 °C
Max. conductor temperature at short circuit	250 °C (max. 5 s.)
Min. installation temp.	-25 °C
Standards/Certifications/Approvals	EN 50575, EN 50525-2-21, CE
Conductor material	Stranded copper class 5
Insulation material	Vulcanized rubber compound, type EI4
Number of cores	2-5
Conductor colour code:	2-core: blue, brown 3-core: blue, brown, yellow/green 3-core: blue, brown, black* 3-core: brown, black, grey* 4-core: brown, black, grey, yellow/green 4-core: blue, brown, black, yellow/green* 4-core: blue, brown, black, grey* 5-core: blue, brown, black, grey, yellow/green *On request.
Sheathing material, colour	Vulcanized rubber compound, type EM3; standard colour: black
Lead free	Yes
Reaction to fire	EN 60332-1-2
RoHS/REACH compliant	Yes

Plug 1610

Two-pole plug with double earthing system.
Safety class I.
16 A/250 V Bipolar + Ground.

Standard

IEC 60884-1:2002 + A1:2006 + A2:2013
NEN 1020:1987 + A2:2004

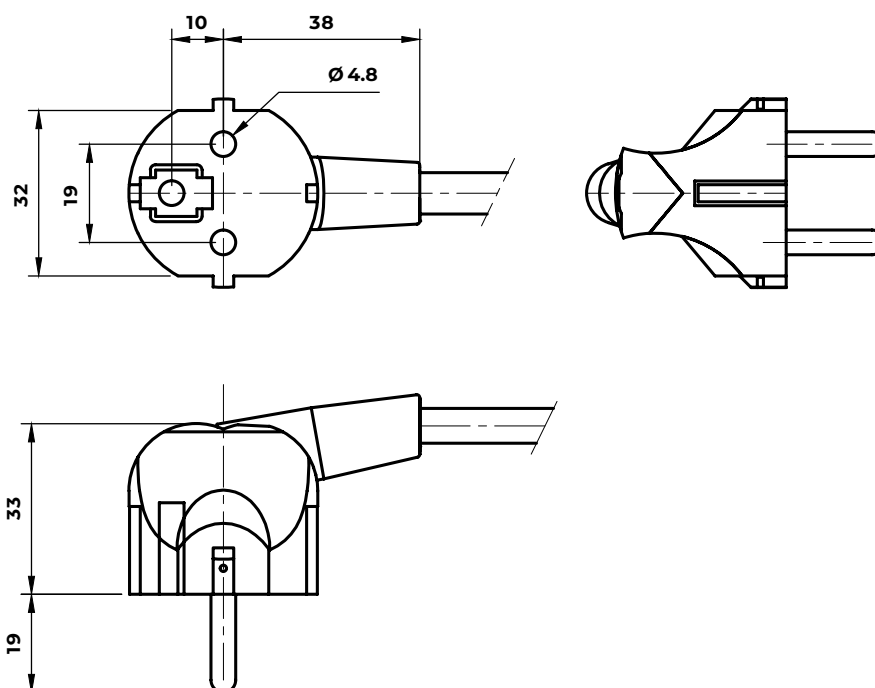
Certification

All our power cords are KEMA-KEUR certified.



Dimensional characteristics

Measurements in mm.



Plug 1622

3 pin overmolded plug for UK market.
Fused.
13 A/250 V.

Standard

IEC 60884-1:2002 + A1:2006 + A2:2013
NEN 1020:1987 + A2:2004

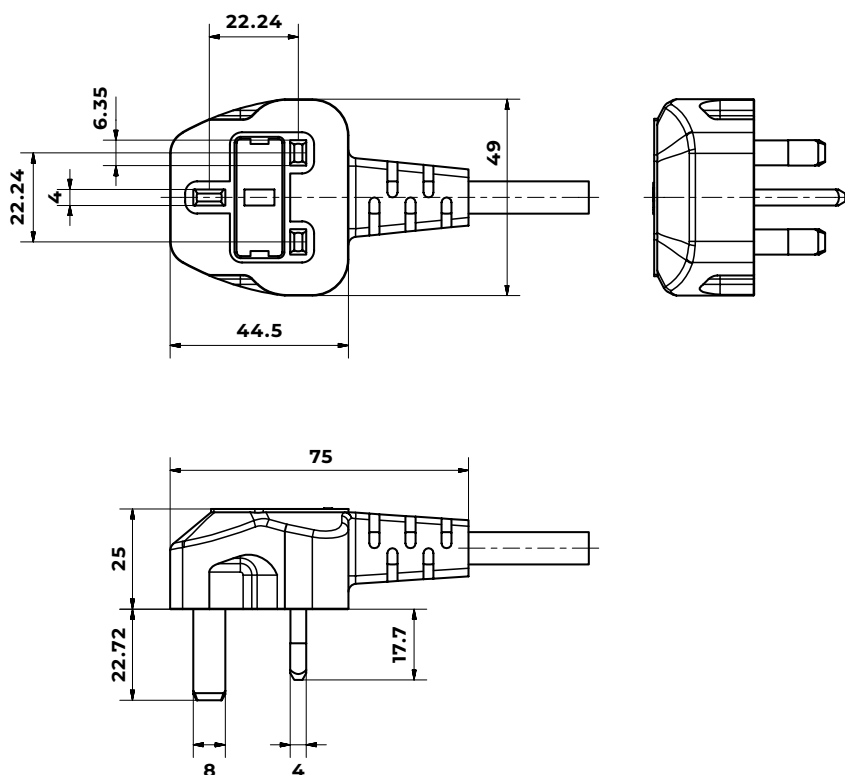
Certification

All our power cords are KEMA-KEUR certified.



Dimensional characteristics

Measurements in mm.



Plug 1630

Two-pole plug with double earthing system.
Safety class I.
16 A/250 V Bipolar + Ground.
Plug splash proof – IP44.

Standard

IEC 60884-1:2002 + A1:2006 + A2:2013
NEN 1020:1987 + A2:2004

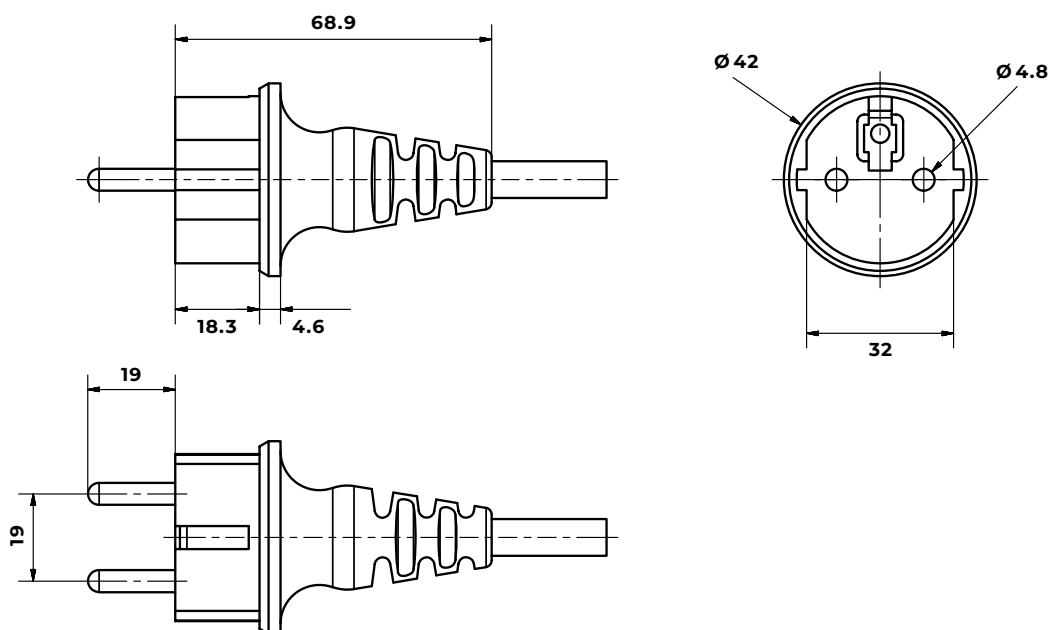
Certification

All our power cords are KEMA-KEUR certified.



Dimensional characteristics

Measurements in mm.



Plug 1669

Two-pole plug.
Safety class II.
16 A/250 V Bipolar.
Plug splash proof – IP44.

Standard

IEC 60884-1:2002 + A1:2006 + A2:2013
NEN 1020:1987 + A2:2004

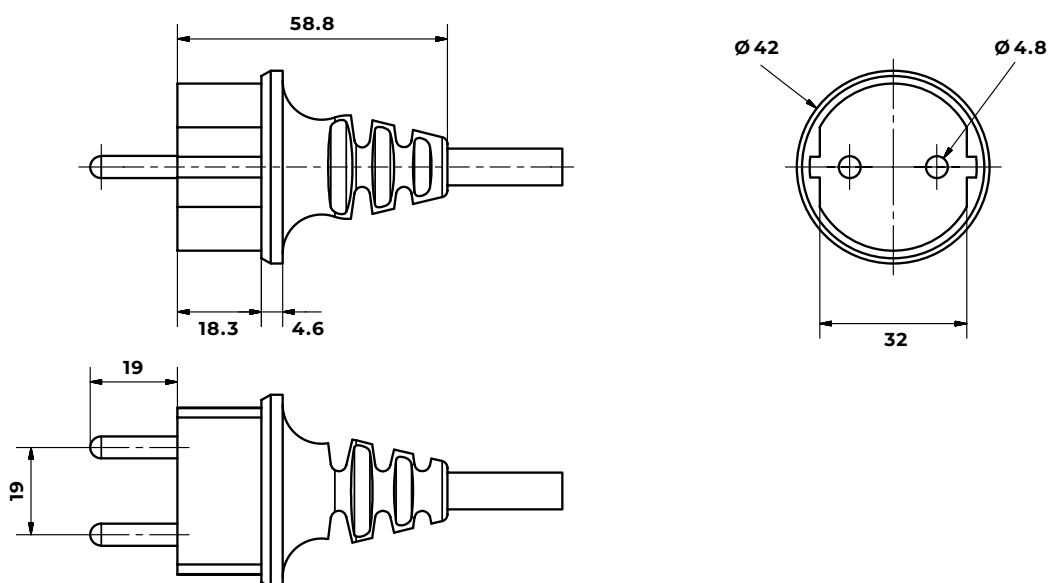
Certification

All our power cords are KEMA-KEUR certified.



Dimensional characteristics

Measurements in mm.



Plug 1668

Cordset with straight plug for heavy duty purpose. Safety class II.
16 A/250 V.

Standard

IEC 60884-1:2002 + A1:2006 + A2:2013
NEN 1020:1987 + A2:2004

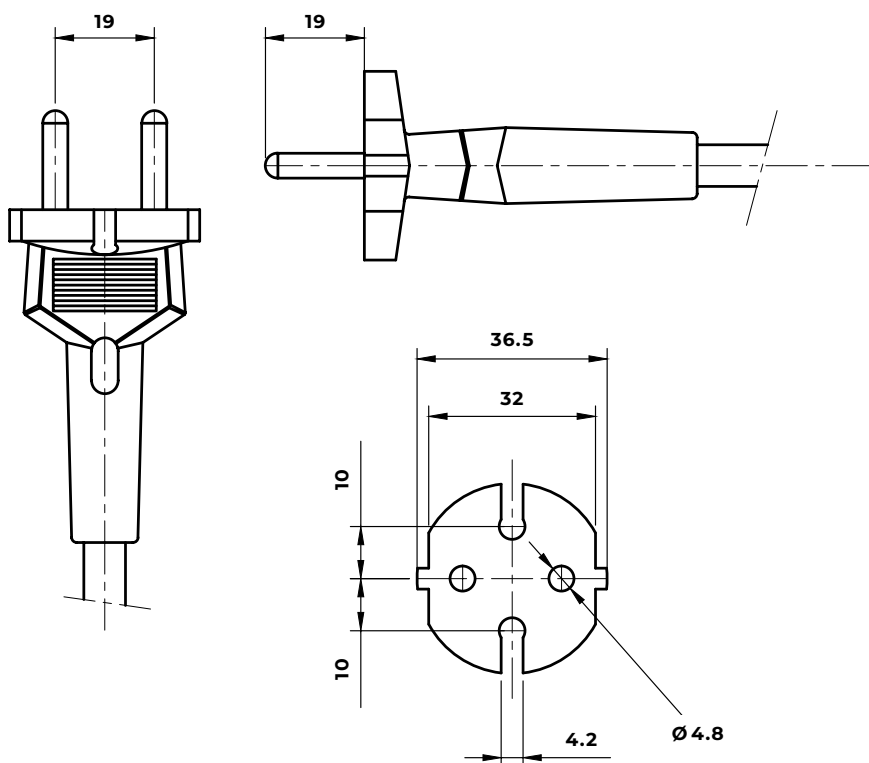
Certification

All our power cords are KEMA-KEUR certified.



Dimensional characteristics

Measurements in mm.



Plug 1664

Straight plug allowed for insulated apparatus.
Safety class II.
16 A/250 V Bipolar.

Standard

IEC 60884-1:2002 + A1:2006 + A2:2013
NEN 1020:1987 + A2:2004

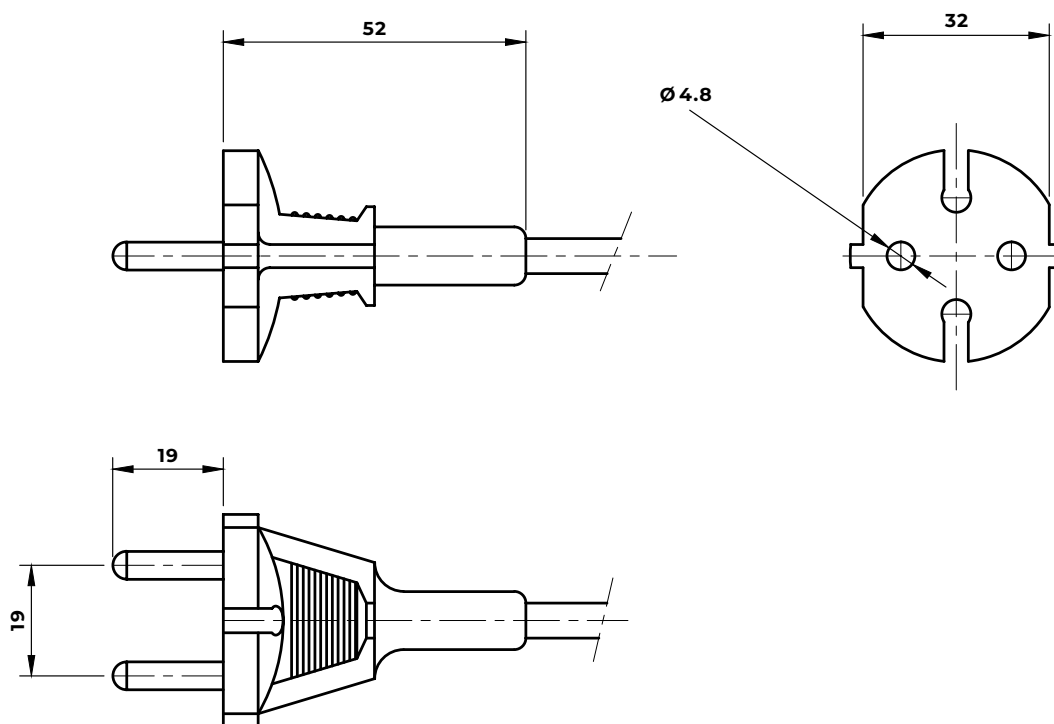
Certification

All our power cords are KEMA-KEUR certified.



Dimensional characteristics

Measurements in mm.



Plug 1683

Flat two-pole plug.
Safety class II.
2.5 A/250 V Bipolar.

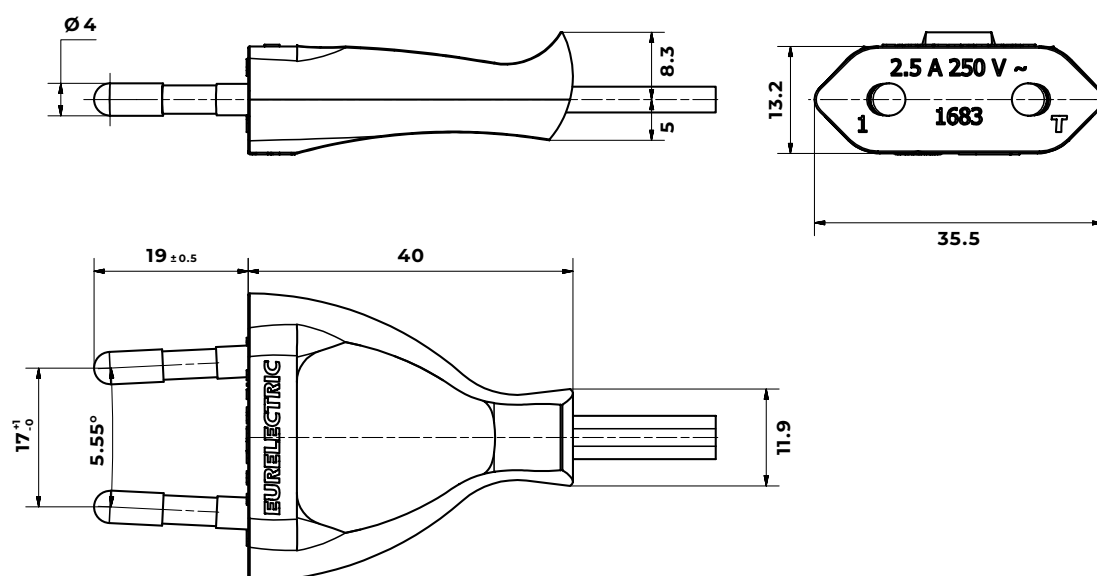
Certification

All our power cords are KEMA-KEUR certified.



Dimensional characteristics

Measurements in mm.



Connector 2254

Connector two-pole plug.
Safety class II.
2.5 A/250 V Bipolar.

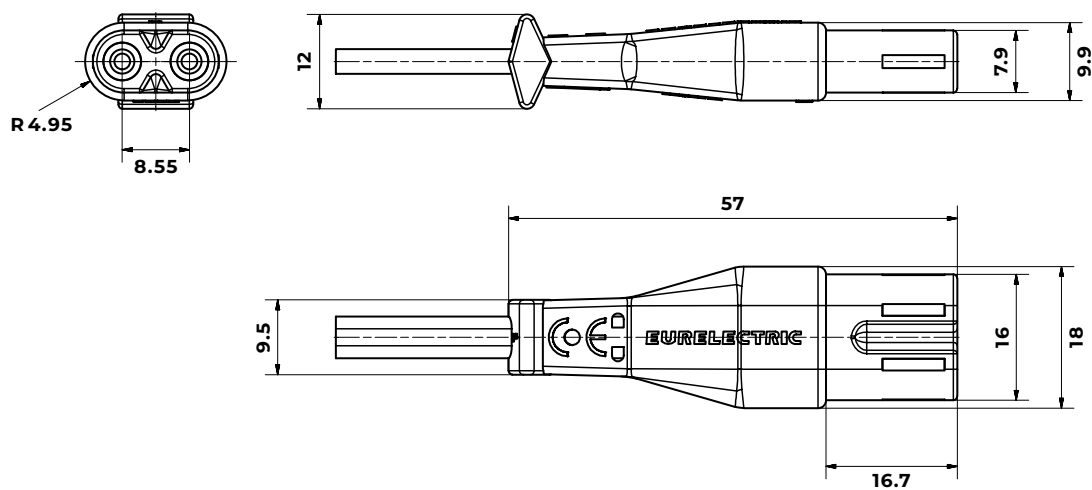
Certification

All our power cords are KEMA-KEUR certified.



Dimensional characteristics

Measurements in mm.



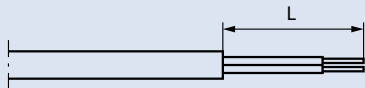
Tailored to your requirements.

All our power cords and cables are available in a tremendous variety of configurations, giving you plenty of options to configure your own products.

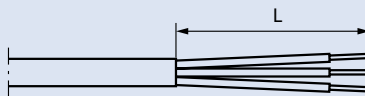
1. Power cord specification

- **Power cord** Part number + amperage rating
- **Plug insert** Plug insert type construction – solid pin, plastic filled hollow pin, hollow pin
- **Cable** Type-colour-length sq size and N° Conductor
- **Strain relief** Part number position, pull-test (based on customer specifications)
- **Female end** Specification for slitting and termination (table 2)

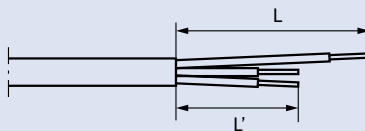
2. Female end terminating



Cables 2 conductors



Cables 3 conductors



Cables 3 unequal conductors



Stripping



Barrel termination



Autoband without insulating crimp



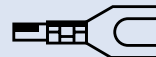
Barrel termination with insulation support



Crimp terminal



Ring terminal



Spade terminal

3. Packing options

How to package your products is only a question about what you prefer. We have the ability to adapt and customise the packaging to your specific needs.

ISO 9001:2015

Quality Management Systems

ISO 14001:2015

Environmental Management Systems

OHSAS 18001:2007

Assessment Specification for Occupational Health & Safety Management Systems



COMMITTED TO QUALITY

Production adapted to customer values and needs.

"Manufacturing is the soul of our company and plants are our heart. We were born to produce. And our world-leading reputation is the result of a truly customer-centric approach based on reliability."

Andrea Pirondini, COO, Prysmian

At our plants in Slatina, Romania, we provide customers and communities worldwide with energy and telecom cable solutions based on state-of-the-art technology, consistent excellence in execution and in-depth understanding of the needs of an evolving market.

As we are in control of our manufacturing process, we are able to perform advanced tests to make sure that all cables leaving our plants maintain the highest quality and comply to all relevant standards – may it concern safety, durability, performance or sustainability.

Do you want to know more?

Visit our website: www.prysmiangroup.de



PRYSMIAN

Prysmian Kabel und Systeme GmbH
Phone: +49 (0) 30 3675 40
kontakt@prysmiangroup.com



prysmiangroup.de

© All rights reserved by Prysmian 2024-02 | Version 3.

Technical data, dimensions and weights are subject to change. All sizes and values without tolerances are reference values. Specifications are for product as supplied by Prysmian: any modification or alteration afterwards of product may give different result. The information contained within this document must not be copied, reprinted or reproduced in any form, either wholly or in part, without the written consent of Prysmian. The information is believed to be correct at the time of issue. Prysmian reserves the right to amend this specification without prior notice. This specification is not contractually valid unless specifically authorised by Prysmian.

Follow us

